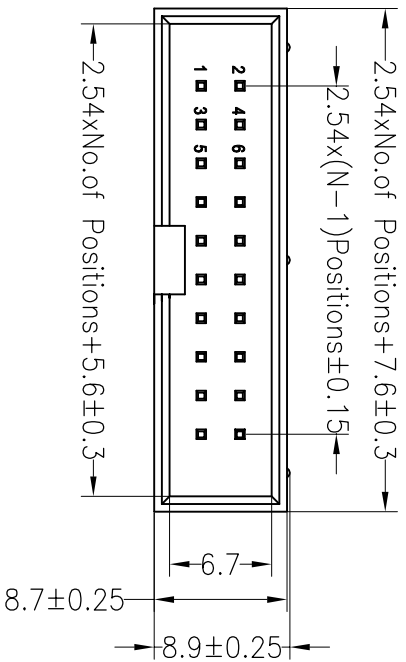
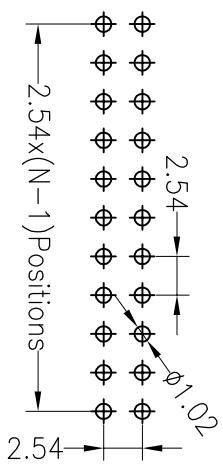


Recommended P.C.B Layout(Top Side)  
(PCB BOARD TOLERANCE±0.05)



**SPECIFICATIONS**  
 Rated Current:3.0AMP  
 Contact Resistance:20mΩ Max  
 Withstand Voltage:1000V AC/DC  
 Insulation Resistance:1000MΩ Min  
 Operation Temperature:-40°C to +105°C

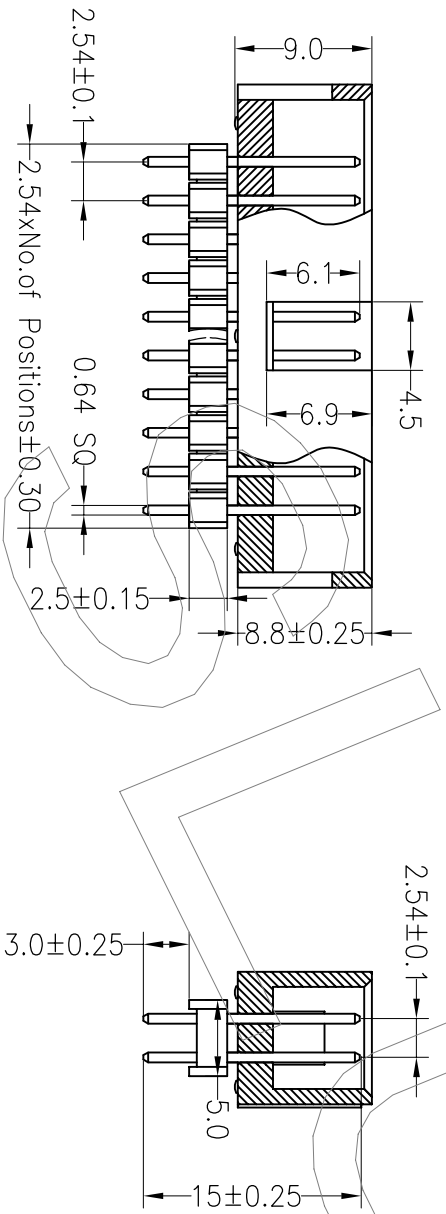


Contact Material:Brass  
 Contact Plating:Au or Sn Over Ni  
 Insulator Material:Polyester(UL94V-0)  
 Standard: PA6T  
 Max.Processing Temp: 230°C for 30-60 seconds  
 (260°C for 10 seconds)

### Ordering Information

**BX25-88XX S XX X B N D1 X 1**

No. of Pins	6-64P	Contact Plating	G0:Gold Flash	Insulator Material	Option	A=BK-PBT	Color	B=Black	Post	W=V/Post	W=V/Post	Padding	0=Flt Bag
			G1:3U" Gold			C=BK-PA6T		W=White		N=W/O Post	N=W/O Post		T=Top
			G2:5U" Gold			D=BK-PA46		G=Grey					P=Tube+Cap
			G3:10U" Gold			E=BK-PA9T							R=Reest+Cap
			G4:15U" Gold			F=BK-LCP							
			G5:30U" Gold										
			S0:Solid Flash/Tin										
			SN:Tin										



OPERATION		DRAW		SCALE		FIT		DONGGUAN SANLING ELECTRONIC CO.,LTD	
X.X	±0.30			UNIT	mm			Http://www.sanling-connector.com	
X.XX	±0.20	CHECK		SIZE	A4	S L C		INTERNATIONAL DIMENSIONS	
X.XXX	±0.10	APPROVE		SHEET	1/1	TITLE:		PART NO. BX25-88XXXXXXBND1X1	
Angle	±3°	CHANGE		PROJ.		Header H2.50mm 180°		Header H8.8mm+Pin	
DIM	TOL	MODIFICATION DESCRIPTION		DATE		DATE		DATE	
1	2	NEW DRAWING		2019.06.24		2019.06.24		2019.06.24	
1	2	MODIFICATION DESCRIPTION		DATE		DATE		DATE	